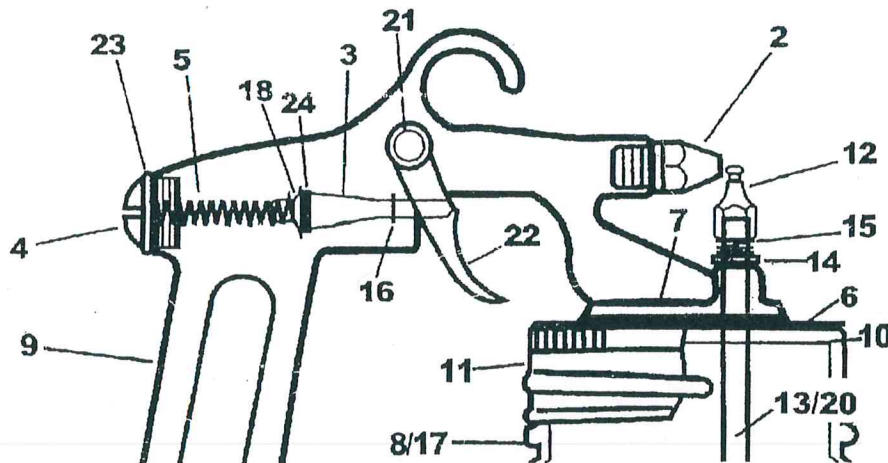


1		air inlet union (70606)	7		cover plate screw (60103)	13	 <i>Reedertube</i>	liquid tube* (20217)	19		stain. steel liquid nozzle (20622)
2	 <i>upper</i>	air nozzle (21038)	8		glass jar* (20223)	14		locknut (20220)	20		stainless steel * liquid tube (20218)
3		air valve ass'bly (20950)	9		gun body* (20107)	15		nozzle spring (20710)	21		swivel pin (61401)
4		air valve cap (20918)	10		jar gasket* (21525)	16		packing (21518)	22		trigger (20406)
5		air valve spring (20708)	11		jar ring* (20240)	17		plastic jar* (20777)	23		valve cap gasket (21542)
6		cover plate* (20215)	12	 <i>lower</i>	liquid nozzle (20621)	18		retaining washer (31007)	24		valve disk (31009)



*shown much smaller than actual size



contains:
jar gasket*
liquid nozzle
liquid tube*
locknut
nozzle spring

THE 118 K-GUN PARTS