

LATEX FOAM

“There’s nothing like the feel of latex foam.”

C3 = Medium ; C4 = Medium-Firm

1”x30”x80”	\$ 58.94
1”x60”x80”	\$117.88
2”x30”x80”	\$117.88
2”x60”x80”	\$235.76
3”x30”x80”	\$176.82
3”x60”x80”	\$353.64
4”x30”x80”	\$235.76
4”x60”x80”	\$471.52
5”x30”x80”	\$294.70
5”x60”x80”	\$589.40
6”x30”x80”	\$353.64
6”x60”x80”	\$707.28

foam cutters can be found on pages 55 & 56

ALL PRICES ARE SUBJECT TO CHANGE AT ANYTIME WITHOUT NOTICE

Polyfoam

1.2 Density 1240sm

-FULL ROLLS ONLY-

All 1.2 density foam meets California fire code.

Inexpensive foam used inside backs, arms, decks, and van conversions.

Thickness	Width	Length	1 roll
¼"	24"	270"	\$10.69
¼"	54"	270"	\$23.67
½"	24"	270"	\$21.92
½"	36"	270"	\$32.82
1"	24"	270"	\$42.27
1"	36"	270"	\$61.51

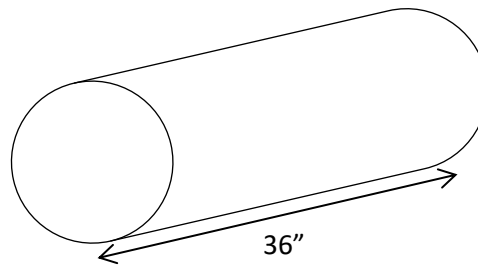
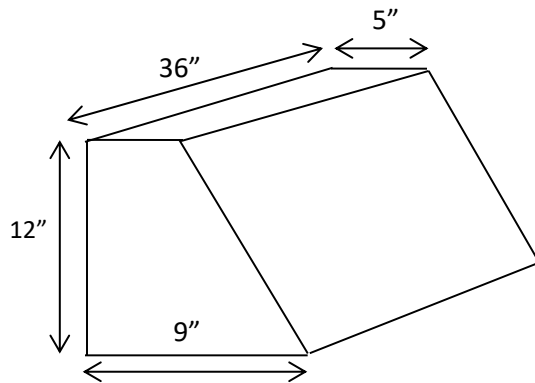
Bolsters

Wedge

size	price
4"x8"x12"x36"	\$18.57 each
5"x9"x12"x36"	\$23.17 each

Round

size	price
6"x36"	\$13.65 each
8"x36"	\$21.62 each
10"x36"	\$33.59 each



Memory Foam

sheets run 76"x81" and can be cut to desired thickness

\$ 98.25 / inch of thickness

Shredded Materials

Shredded Foam used in curved attached inside backs

10 lb to 20 lb bags \$ 2.52 per pound

Shredded Everdry great for outdoor pillows

10 lb to 20 lb bags \$13.78 per pound

Skins

used in decks over the springs \$ 6.24 / each

ALL PRICES ARE SUBJECT TO CHANGE AT ANYTIME WITHOUT NOTICE

1.8 DENSITY

White color - medium quality, high density foam.

***1865 EXTRA FIRM*; 1845 FIRM FEEL; 1835 MEDIUM FEEL;**

1827 SOFTER VERSION OF MEDIUM;

1823 SOFT FEEL (FREQUENTLY USED FOR BACKS); KR-16 SUPER-SOFT

All 1.8 Density foam meets California fire code

thick	width	length	1 sheet	4-9	10+
1"	24"	108"	\$ 15.00	\$ 14.25	\$ 13.50
1"	80"	108"	\$ 50.00	\$ 47.50	\$ 45.00
2"	24"	108"	\$ 30.00	\$ 28.50	\$ 27.00
2"	80"	108"	\$ 100.00	\$ 95.00	\$ 90.00
3"	24"	108"	\$ 45.00	\$ 42.75	\$ 40.50
3"	80"	108"	\$ 150.00	\$ 142.50	\$ 135.00
4"	24"	108"	\$ 60.00	\$ 57.00	\$ 54.00
4"	80"	108"	\$ 200.00	\$ 190.00	\$ 180.00
4 1/2"	24"	108"	\$ 67.50	\$ 64.13	\$ 60.75
4 1/2"	80"	108"	\$ 225.00	\$ 213.75	\$ 202.50
5"	24"	108"	\$ 75.00	\$ 71.25	\$ 67.50
5"	80"	108"	\$ 250.00	\$ 237.50	\$ 225.00
6"	24"	108"	\$ 90.00	\$ 85.50	\$ 81.00

Special cuts of foam are not returnable

Please note: you may request *different* widths and thicknesses, besides those listed **as wide as 80"x108"** - cuts which are significantly different from a standard cut can be special ordered at an additional charge.

1865 foam is only available in 24" & 80" widths at this time

Please make these requests *before 12 noon of the day before delivery*. We try to honor all requests.

2.6 DENSITY

Blue in color, this is our biggest seller for seat cushions. Our best quality foam; there is no sand or load in this foam - it will not tear when pulled. It is friendly to the environment (*no fluorocarbons used*).

**SR65 EXTRA FIRM - GOOD FOR GYMS; SR45 FIRM - GOOD FOR BENCHES, PEWS;
SR35 MEDIUM - MOST COMMON IN FURNITURE; SR27 SOFT - A CUSHIER FEEL**

All 2.6 Density (SR) foam meets California fire code

thick	width	length	1 sheet	4-9	10+
1"	24"	108"	\$ 20.50	\$ 19.00	\$ 17.50
1"	80"	108"	\$ 68.33	\$ 63.33	\$ 58.33
2"	24"	108"	\$ 41.00	\$ 38.00	\$ 35.00
2"	80"	108"	\$ 136.66	\$ 126.66	\$ 116.66
3"	24"	108"	\$ 61.50	\$ 57.00	\$ 52.50
3"	80"	108"	\$ 204.99	\$ 189.99	\$ 174.99
4"	24"	108"	\$ 82.00	\$ 76.00	\$ 70.00
4"	80"	108"	\$ 273.32	\$ 253.32	\$ 233.32
4 ½"	24"	108"	\$ 92.25	\$ 85.50	\$ 78.75
4 ½"	80"	108"	\$ 307.49	\$ 284.99	\$ 262.49
5"	24"	108"	\$ 102.50	\$ 95.00	\$ 87.50
5"	80"	108"	\$ 341.65	\$ 316.65	\$ 291.65
6"	24"	108"	\$ 123.00	\$ 114.00	\$ 105.00

Special cuts of foam are not returnable

Please note: you may request *different* widths and thicknesses, besides those listed **as wide as 80"x108"** - cuts which are significantly different from a standard cut can be special ordered at an additional charge.

Please make these requests *before 12 noon of the day before delivery*. We try to honor all requests.

2.6 Density (SR) foam comes with a 10-year guarantee

Q-16 (1.8 Density) qualux foam cream color some customers like its “gummy” feel
Soft feel only. Preferred foam to use as a foam core inside a down cushion.

thick	width	length	1 sheet	4 - 9	10+
1”	24”	108”	\$ 32.24	\$ 30.31	\$ 28.37
1”	80”	108”	\$ 107.47	\$ 101.02	\$ 94.57
2”	24”	108”	\$ 64.48	\$ 60.62	\$ 56.74
3”	24”	108”	\$ 96.72	\$ 90.93	\$ 85.11
4”	24”	108”	\$ 128.96	\$ 121.24	\$ 113.48
5”	24”	108”	\$ 161.20	\$ 151.55	\$ 141.85
6”	24”	108”	\$ 193.44	\$ 181.86	\$ 170.22

foam cutters can be found on pages 55 & 56

Rebonded Foam

This foam is used in church kneelers, gym pads, etc.

It looks like carpet padding all glued together, it is very hard.

1”x24”x72” \$29.16 / sheet

2”x24”x72” \$58.32 / sheet

Ever-Dry Foam

“When it rains, it drains!” Foam for outdoor cushions. Available in soft, med, and firm.

The water runs through it. This foam is expensive, but in the right application a customer will be willing to pay for it. Try using it for boat cushions, patio furniture, golf carts, etc. It has long lasting wear ability with fast-drying properties. It has built-in fungicidal additive that inhibits mildew.

THICK	<u>24”x108”</u>	<u>48”x108”</u>
<u>1”</u>	\$ 35.04	\$ 70.08
<u>2”</u>	\$ 70.08	\$ 140.16
<u>3”</u>	\$ 105.12	\$ 210.24
<u>4”</u>	\$ 140.16	\$ 280.32
<u>5”</u>	\$ 175.20	\$ 350.40
<u>6”</u>	\$ 210.24	\$ 420.48



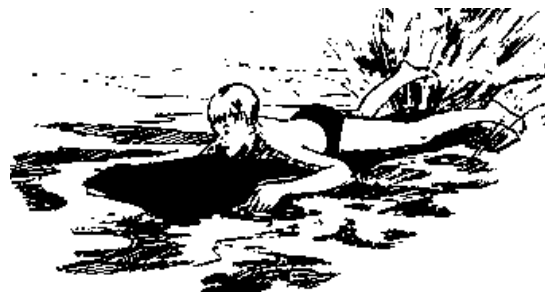
Closed Cell Foam

this foam will float on water and is usually used on boat cushions, or outdoor cushions, such as deck or patio cushions. excellent buoyancy, outstanding weather resistance. meets us coast guard specs.

1/4"x56"x60" \$ 44.74 / sheet

1"x56"x60" \$ 130.82 / sheet

2"x56"x60" \$ 232.84 / sheet



NU-Foam

Hand washable, safe alternative to foam; made of compressed layers of 100% polyester this product is hypoallergenic & mildew resistant. Best for *occasional* seating, such as deck furniture, it will compress over time; however, it won't yellow or disintegrate.

rolls

1/2"x27"x48 feet \$ 67.68 / roll cut footage \$ 2.31 / foot

1"x27"x30 feet \$ 81.00 / roll cut footage \$ 4.06 / foot

sheets

2"x27"x76" \$ 31.86 4"x27"x76" \$ 62.33

Sew Foam

cloth-backed poly foam that makes sewing channels, diamond tufts, etc., much easier. used extensively in automotive restorations and van conversions; try sewing diamond tufts into this foam. screw the tufts to plywood with 5/8" screw studs, & snapping unassembled snap mold buttons onto the screw studs.



1/8"x58" 50 yards \$ 320.50 / roll
20 yards \$ 141.20 / roll
10 yards \$ 79.50 / roll
cut yardage \$ 8.87 / yard

1/4"x58" 50 yards \$ 358.00 / roll
20 yards \$ 151.60 / roll
10 yards \$ 84.70 / roll
cut yardage \$ 9.65 / yard

1/2"x58" 20 yards \$ 172.00 / roll
10 yards \$ 102.00 / roll
cut yardage \$ 12.40 / yard