

LATEX FOAM

“There’s nothing like the feel of latex foam.”

C3 = Medium; C4 = Medium-Firm

1”x30”x80”	\$ 75.00
1”x60”x80”	\$150.00
2”x30”x80”	\$150.00
2”x60”x80”	\$300.00
3”x30”x80”	\$225.00
3”x60”x80”	\$450.00
4”x30”x80”	\$300.00
4”x60”x80”	\$600.00
5”x30”x80”	\$375.00
5”x60”x80”	\$750.00
6”x30”x80”	\$450.00
6”x60”x80”	\$900.00

Foam cutters can be found on pages 55 & 56.

ALL PRICES ARE SUBJECT TO CHANGE AT ANY TIME WITHOUT NOTICE.

Polyfoam

1.2 Density 1240sm

-FULL ROLLS ONLY-

All 1.2 density foam meets California fire code.

Inexpensive foam used inside backs, arms, decks, and van conversions.

Thickness	Width	Length	1 roll
¼"	24"	270"	\$ 13.63
¼"	54"	270"	\$ 29.07
½"	24"	270"	\$ 26.72
½"	36"	270"	\$ 39.99
1"	24"	270"	\$ 49.61
1"	36"	270"	\$ 74.28

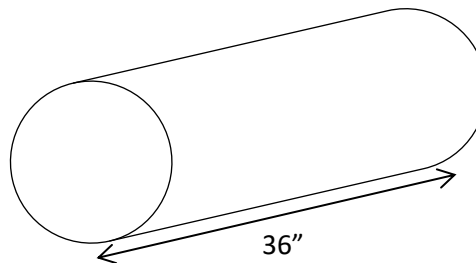
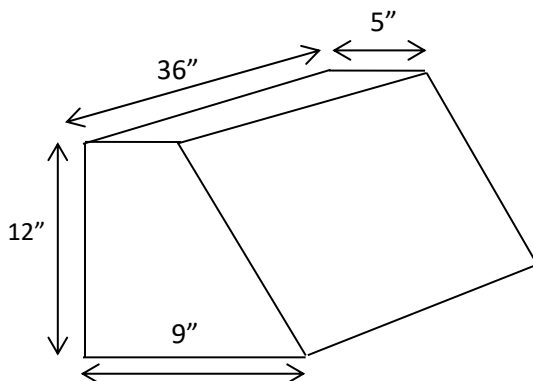
Bolsters

Wedge

size	price
4"x8"x12"x36"	\$ 25.36 each
5"x9"x12"x36"	\$ 31.64 each

Round

size	price
6"x36"	\$ 18.77 each
8"x36"	\$ 29.51 each
10"x36"	\$ 45.86 each



Memory Foam

Sheets run 76"x81" and can be cut to desired thickness.

\$ 110.00 / inch of thickness

Shredded Materials

Shredded Foam - used in curved attached inside backs

10 lb to 20 lb bags \$ 2.99 per pound

Shredded Everdry - great for outdoor pillows

10 lb to 20 lb bags \$ 13.78 per pound

Skins

used in decks over the springs \$ 6.59 / each

ALL PRICES ARE SUBJECT TO CHANGE AT ANY TIME WITHOUT NOTICE.

1.8 DENSITY

White color - medium quality, high density foam.

***1865 EXTRA FIRM*; 1845 FIRM FEEL; 1835 MEDIUM FEEL;**

1827 SOFTER VERSION OF MEDIUM;

1823 SOFT FEEL (FREQUENTLY USED FOR BACKS); KR-16 SUPER-SOFT

All 1.8 Density foam meets California fire code.

thick	width	length	1 sheet	4-9	10+
1"	24"	108"	\$ 19.50	\$ 18.75	\$ 18.00
1"	80"	108"	\$ 65.00	\$ 62.50	\$ 60.00
2"	24"	108"	\$ 39.00	\$ 37.50	\$ 36.00
2"	80"	108"	\$ 130.00	\$ 125.00	\$ 120.00
3"	24"	108"	\$ 58.50	\$ 56.25	\$ 54.00
3"	80"	108"	\$ 195.00	\$ 187.50	\$ 180.00
4"	24"	108"	\$ 78.00	\$ 75.00	\$ 72.00
4"	80"	108"	\$ 260.00	\$ 250.00	\$ 240.00
4 1/2"	24"	108"	\$ 87.75	\$ 84.38	\$ 81.00
4 1/2"	80"	108"	\$ 292.50	\$ 281.25	\$ 270.00
5"	24"	108"	\$ 97.50	\$ 93.75	\$ 90.00
5"	80"	108"	\$ 325.00	\$ 312.50	\$ 300.00
6"	24"	108"	\$ 117.00	\$ 112.50	\$ 108.00

Special cuts of foam are not returnable

Please note: You may request *different* widths and thicknesses, besides those listed - **as wide as 80"x108"**. Cuts which are significantly different from a standard cut can be special ordered at an additional charge.

1865 foam is only available in 24" & 80" widths at this time.

Please make these requests *before 12 noon of the day before delivery*. We try to honor all requests.

ALL PRICES ARE SUBJECT TO CHANGE AT ANY TIME WITHOUT NOTICE.

2.6 DENSITY

Blue in color, this is our biggest seller for seat cushions. Our best quality foam; there is no sand or load in this foam - it will not tear when pulled. It is friendly to the environment (*no fluorocarbons used*).

**SR65 EXTRA FIRM - GOOD FOR GYMS; SR45 FIRM - GOOD FOR BENCHES, PEWS;
SR35 MEDIUM - MOST COMMON IN FURNITURE; SR27 SOFT - A CUSHIER FEEL**

All 2.6 Density (SR) foam meets California fire code

thick	width	length	1 sheet	4-9	10+
1"	24"	108"	\$ 26.25	\$ 25.20	\$ 24.00
1"	80"	108"	\$ 87.50	\$ 84.00	\$ 80.00
2"	24"	108"	\$ 52.50	\$ 50.40	\$ 48.00
2"	80"	108"	\$ 175.00	\$ 168.00	\$ 160.00
3"	24"	108"	\$ 78.75	\$ 75.60	\$ 72.00
3"	80"	108"	\$ 262.50	\$ 252.00	\$ 240.00
4"	24"	108"	\$ 105.00	\$ 100.80	\$ 96.00
4"	80"	108"	\$ 350.00	\$ 336.00	\$ 320.00
4 ½"	24"	108"	\$ 118.13	\$ 113.40	\$ 108.00
4 ½"	80"	108"	\$ 393.75	\$ 378.00	\$ 360.00
5"	24"	108"	\$ 131.25	\$ 126.00	\$ 120.00
5"	80"	108"	\$ 437.50	\$ 420.00	\$ 400.00
6"	24"	108"	\$ 157.50	\$ 151.20	\$ 144.00

Special cuts of foam are not returnable

Please note: you may request *different* widths and thicknesses, besides those listed **as wide as 80"x108"** - cuts which are significantly different from a standard cut can be special ordered at an additional charge.

Please make these requests *before 12 noon of the day before delivery*. We try to honor all requests.

2.6 Density (SR) foam comes with a 10-year guarantee.

ALL PRICES ARE SUBJECT TO CHANGE AT ANY TIME WITHOUT NOTICE.

Q-16 (1.8 Density) Qualux foam-cream color. Some customers like its “gummy” feel.

Soft feel only. Preferred foam to use as a foam core inside a down cushion.

thick	width	length	1 sheet	4 - 9	10+
1”	24”	108”	\$ 38.25	\$ 37.00	\$ 35.25
1”	80”	108”	\$ 127.50	\$ 123.33	\$ 117.50
2”	24”	108”	\$ 76.50	\$ 74.00	\$ 70.50
3”	24”	108”	\$ 114.75	\$ 111.00	\$ 105.75
4”	24”	108”	\$ 153.00	\$ 148.00	\$ 141.00
5”	24”	108”	\$ 191.25	\$ 185.00	\$ 176.25
6”	24”	108”	\$ 229.50	\$ 222.00	\$ 211.50

Foam cutters can be found on pages 55 & 56.

Rebonded Foam

This foam is used in church kneelers, gym pads, etc.

It looks like carpet padding all glued together; it is very hard.

1”x24”x72” \$ 39.45 / sheet

2”x24”x72” \$ 78.90 / sheet

Ever-Dry Foam

“When it rains, it drains!” Foam for outdoor cushions. **Available in soft, med, and firm.**

The water runs through it. This foam is expensive, but in the right application, a customer will be willing to pay for it. Try using it for boat cushions, patio furniture, golf carts, etc. It has long lasting wearability with fast-drying properties. It has a built-in fungicidal additive that inhibits mildew.

THICK	<u>24”x108”</u>	<u>48”x108”</u>
<u>1”</u>	\$ 45.00	\$ 90.00
<u>2”</u>	\$ 90.00	\$ 180.00
<u>3”</u>	\$ 135.00	\$ 270.00
<u>4”</u>	\$ 180.00	\$ 360.00
<u>5”</u>	\$ 225.00	\$ 450.00
<u>6”</u>	\$ 270.00	\$ 540.00



ALL PRICES ARE SUBJECT TO CHANGE AT ANY TIME WITHOUT NOTICE.

Closed Cell Foam

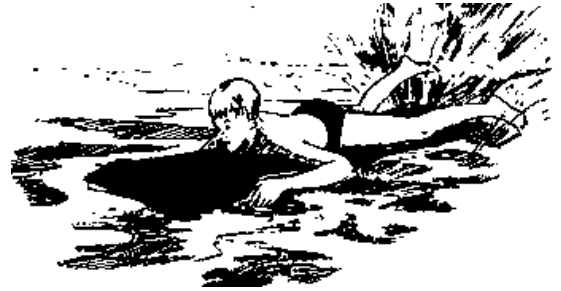
This foam will float on water and is usually used on boat cushions or outdoor cushions, such as deck or patio cushions; excellent buoyancy, outstanding weather resistance.

Meets US Coast Guard specifications.

1/4"x56"x60" \$ 55.62 / sheet

1"x56"x60" \$ 162.00 / sheet

2"x56"x60" \$ 286.20 / sheet



Head Liner Material

cloth-backed poly foam mainly used in car headliners.

Colors Available: Beige, Black, Burgundy, Grey and Navy

60" wide	50 yard roll	\$ 9.99 / yard
	cut yardage	\$15.99 / yard

Sew Foam

cloth-backed poly foam that makes sewing channels, diamond tufts, etc., much easier. used extensively in automotive restorations and van conversions; try sewing diamond tufts into this foam. screw the tufts to plywood with 5/8" screw studs, & snap unassembled snap mold buttons onto the screw studs.



<u>1/8"x58"</u>	50 yards	\$ 387.50 / roll
	20 yards	\$ 171.80 / roll
	10 yards	\$ 94.30 / roll
	cut yardage	\$ 10.27 / yard

<u>1/4"x58"</u>	50 yards	\$ 447.50 / roll
	20 yards	\$ 198.20 / roll
	10 yards	\$ 108.80 / roll
	cut yardage	\$ 11.85 / yard

<u>3/8"x58"</u>	25 yards	\$ 266.25 / roll
	10 yards	\$ 123.20 / roll
	cut yardage	\$ 13.99 / yard

<u>1/2"x58"</u>	20 yards	\$ 270.20 / roll
	10 yards	\$ 155.50 / roll
	cut yardage	\$ 17.58 / yard

ALL PRICES ARE SUBJECT TO CHANGE AT ANY TIME WITHOUT NOTICE.